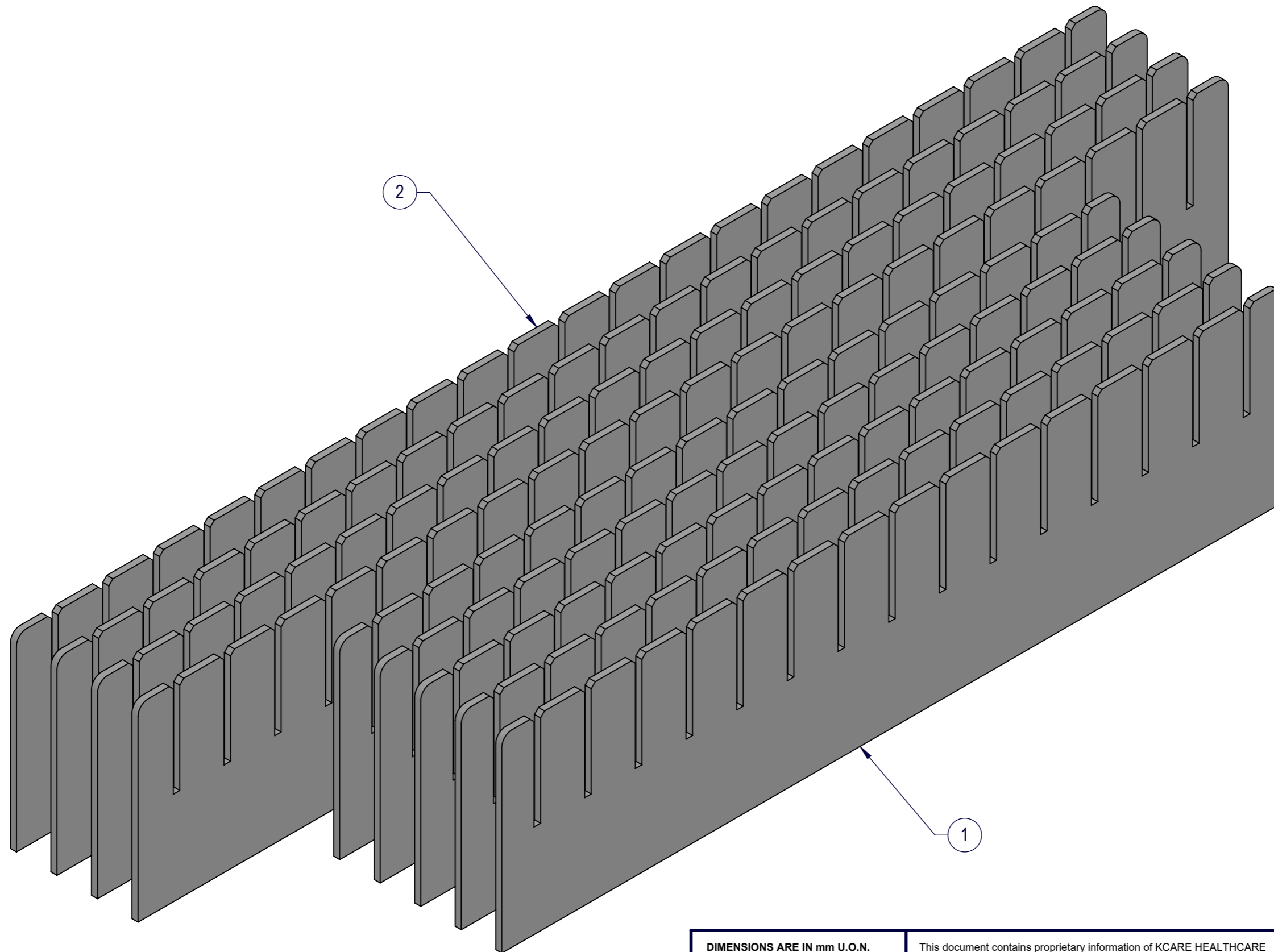
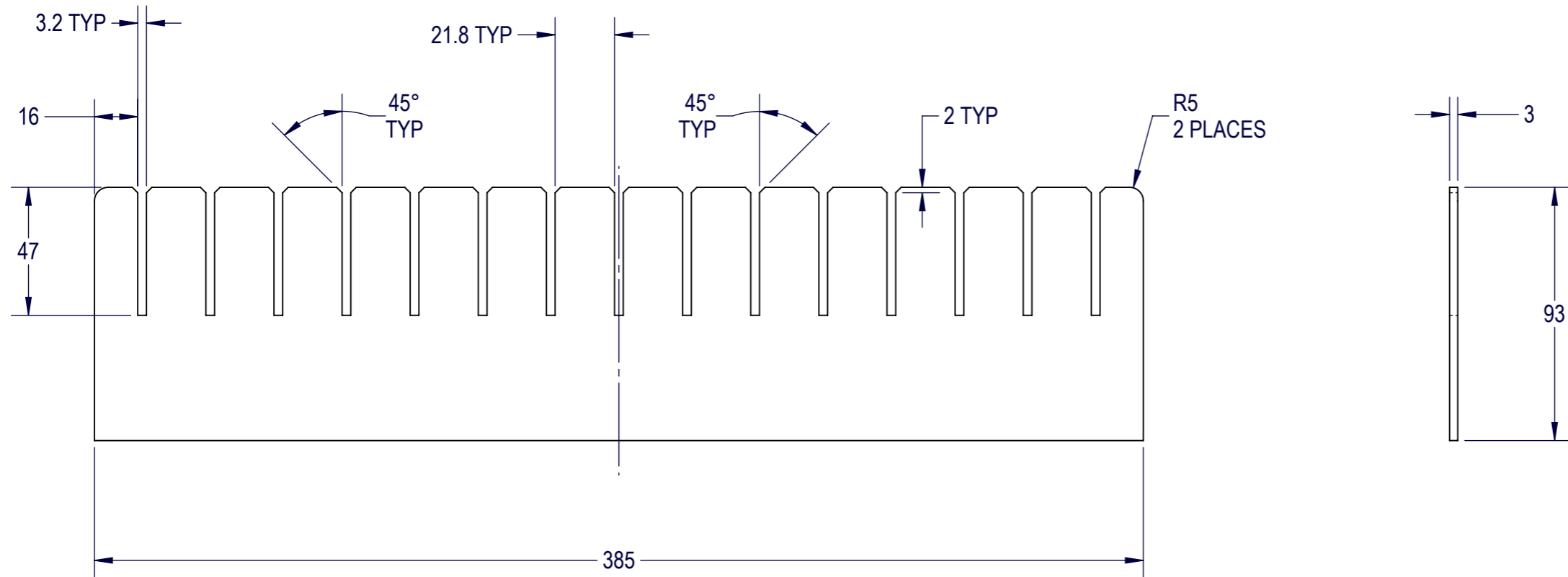


ITEM NO.	DESCRIPTION	QTY	DWG
1	KH22CPD SHORT DIVIDER	5	KH22CPD-02
2	KH22CPD LONG DIVIDER	4	KH22CPD-02



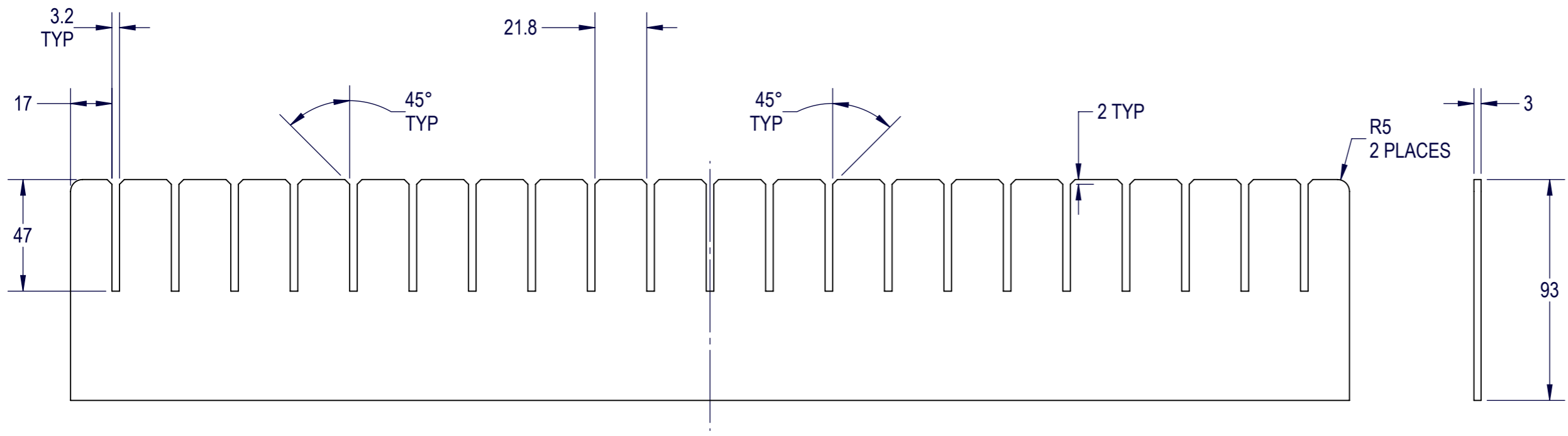
DIMENSIONS ARE IN mm U.O.N.		This document contains proprietary information of KCARE HEALTHCARE EQUIPMENT and its receipt or possession does not convey any rights to reproduce, disclose its contents, or to manufacture, use or sell anything it may describe. Reproduction, disclosure or use without specific written authorisation from KCARE HEALTHCARE EQUIPMENT, is strictly forbidden.		KCARE HEALTHCARE EQUIPMENT	
DO NOT SCALE DRAWING				100 Mulgul Rd, Malaga WA 6090, Australia	
TOLERANCE U.O.N.: X = ± 0.2 XX = ± 0.1 ANGLES = +0.5° FRACTIONS = ± 1/64"		SHEET 1 OF 2		ITEM NO KH22CPD	
REMOVE SHARP EDGES AND BURRS		DRN BY PHIL GRADOLF		DESCRIPTION FLEXICART DRAWER DIVIDERS - PLASTIC	
ALL WELD SIZES TO BE THE MIN THICKNESS OF SMALLER MATERIAL		DATE 5/02/2016		SCALE: N.T.S.	
		DRG No KH22CPD-01		HHC-003A A3	

REV. No	REV. DATE	DESCRIPTION	SIGNED	NCR No.
A	05.02.16	RELEASE FOR PRODUCTION	PG	
REVISIONS				



KH22CPD SHORT DIVIDER

MATERIAL: PVC - CLEAR
QTY/UNIT: 5



KH22CPD LONG DIVIDER

MATERIAL: PVC - CLEAR
QTY/UNIT: 4

DIMENSIONS ARE IN mm U.O.N.		This document contains proprietary information of KCARE HEALTHCARE EQUIPMENT and its receipt or possession does not convey any rights to reproduce, disclose its contents, or to manufacture, use or sell anything it may describe. Reproduction, disclosure or use without specific written authorisation from KCARE HEALTHCARE EQUIPMENT, is strictly forbidden.		KCARE HEALTHCARE EQUIPMENT 100 Mulgul Rd, Malaga WA 6090, Australia	
DO NOT SCALE DRAWING		SHEET 2 OF 2		ITEM NO KH22CPD	
TOLERANCE U.O.N.: X = ± 0.2 XX = ± 0.1 ANGLES = ± 0.5° FRACTIONS = ± 1/64"		DRN BY PHIL GRADOLF		DESCRIPTION FLEXICART DRAWER DIVIDERS - PLASTIC	
REMOVE SHARP EDGES AND BURRS		DATE 5/02/2016		SCALE: N.T.S.	
ALL WELD SIZES TO BE THE MIN THICKNESS OF SMALLER MATERIAL		DRG No KH22CPD-02		HHC-003A A3	

A	05.02.16	RELEASE FOR PRODUCTION	PG	
REV. No	REV. DATE	DESCRIPTION	SIGNED	NCR No.
REVISIONS				