

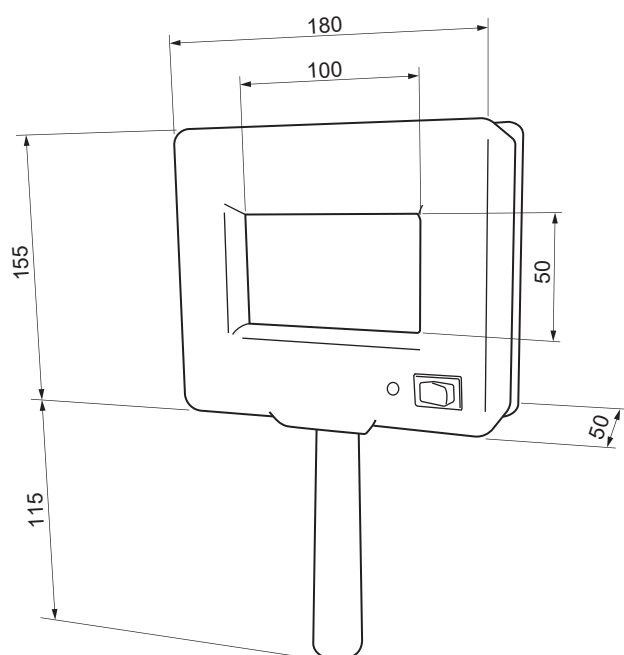
Part No. ML215

Handheld UV Maggylamp Data Sheet



Fitted with	4 x 4 Watt UV light
UV Wavelength	black light blue, 365nm
Lens	biconvex glass, rectangular 100 x 50mm
Magnification	2.25 x, 5 dioptre
Lamp shade	ABS plastic
Handle housing	ABS plastic
Accessory	protective acrylic cover (included)
Power lead	1.8m, AUS/NZ plug
Connected load	240V AC 50/60 Hz
Power consumption	approx. 16 Watt
Weight net	0.8kg
Weight carton	2kg
Package dimensions	L34 x W28 x H14cm

DIMENSIONS (Millimetres)



Data may vary due to component tolerances.
E & OE